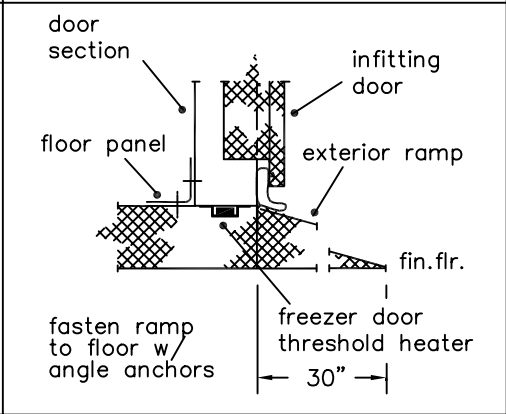
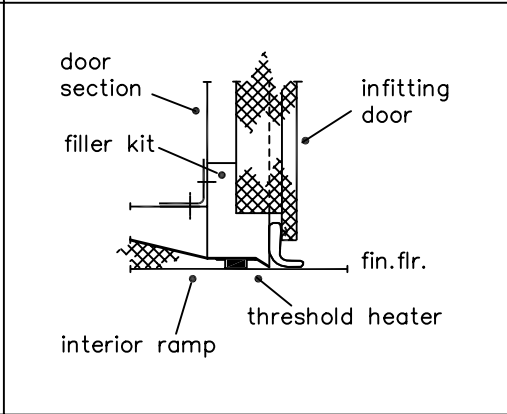
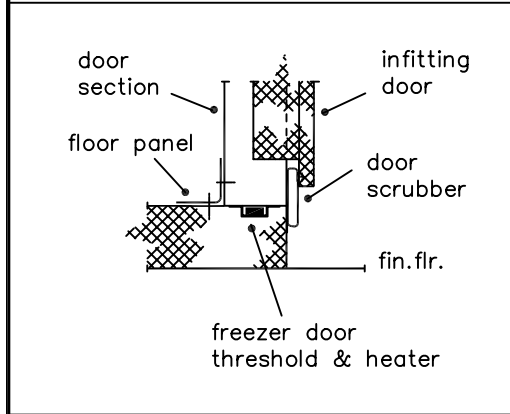


1/D-VINYL SCREED

5/D-COOLER INF DR

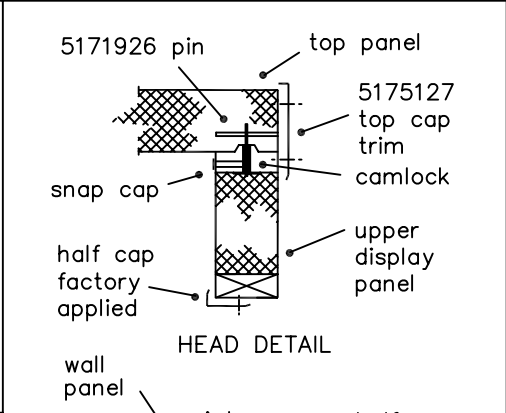
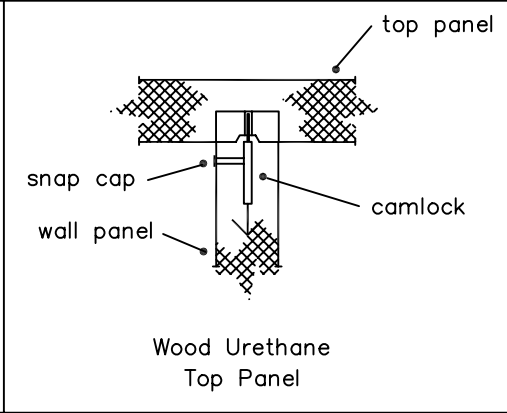
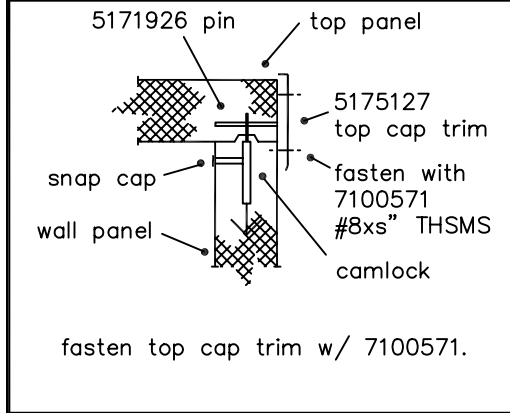
7/D-FLOOR PANEL



8/D-INF DR @ FLOOR

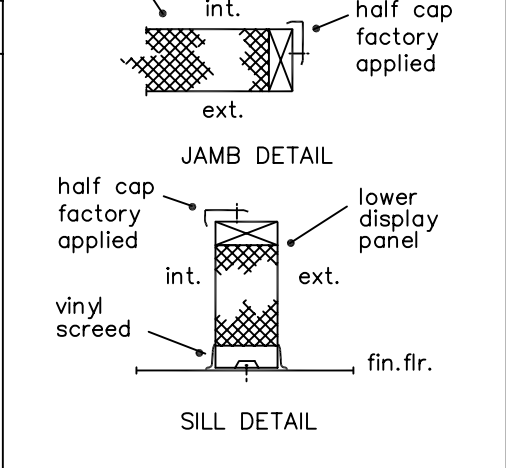
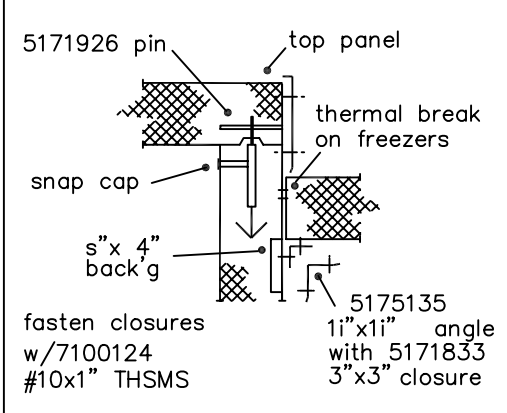
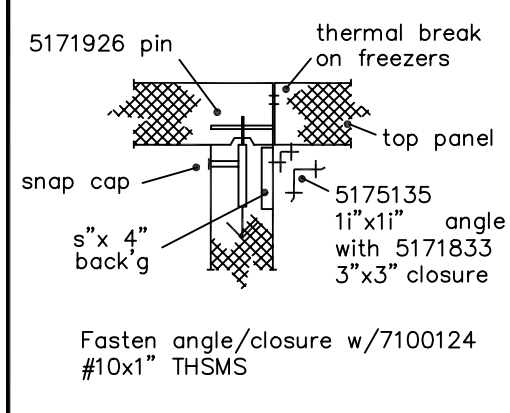
9/D-INTERIOR RAMP

10/D-EXTERIOR RAMP



11/D-TOP PANEL

12/D-TOP 'T' PANEL



13/D-TOP 'L' SUPPORT

14/D-TOP 'L' SUPPORT

27/D REACH-IN DR OPN'G

DESCRIPTION: STANDARD PANEL CONNECTION DETAILS

DWG. NO. EML1B-01
SECTION: PANEL DETAILS
DATE: 8-8-01 / 07-08-02
BY: G.E. RANDALL



International Cold Storage
Andover, Kansas
Sales 800-835-0001
Service 800-333-5653
a division of
Carrier Commercial Refrigeration, Inc.
ENGINEERING GUIDE 1B.01