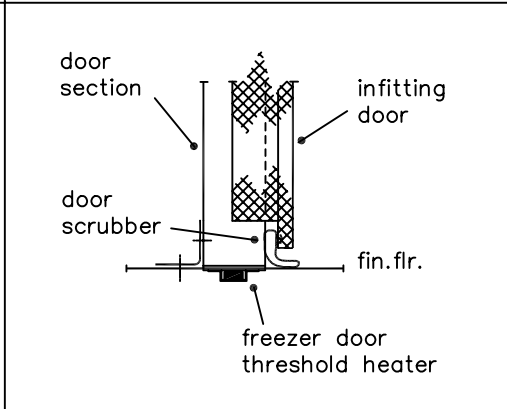
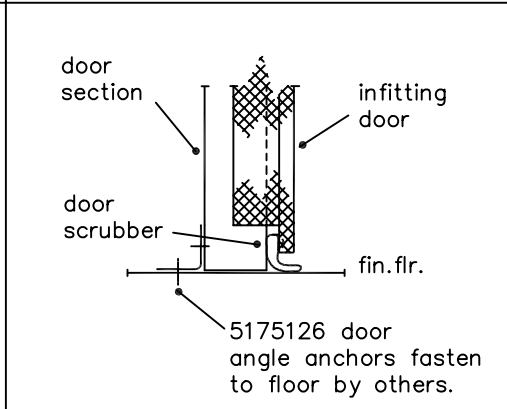
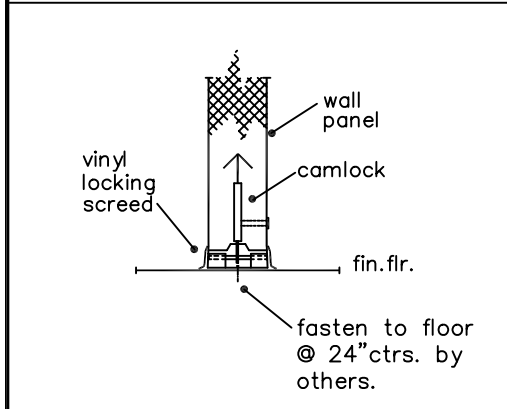


1/D-VINYL SCREED

2/D-ANGLE SCREED

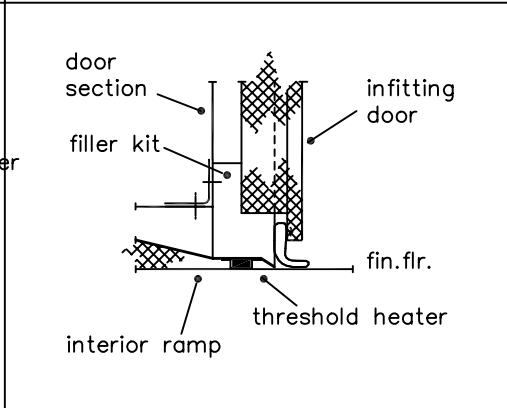
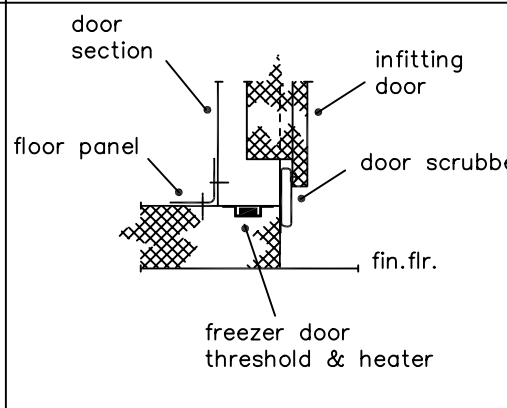
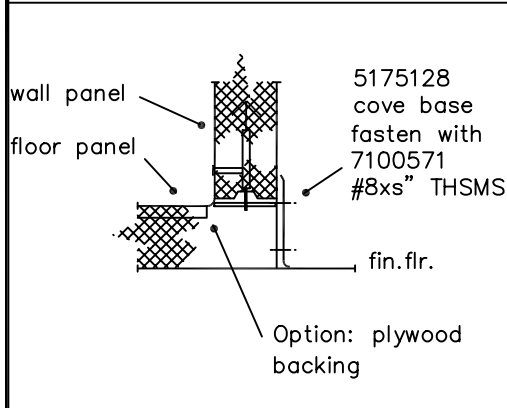
3/D-COVE BASE



4/D-LOCK'G SCREED

5/D-COOLER INF DR

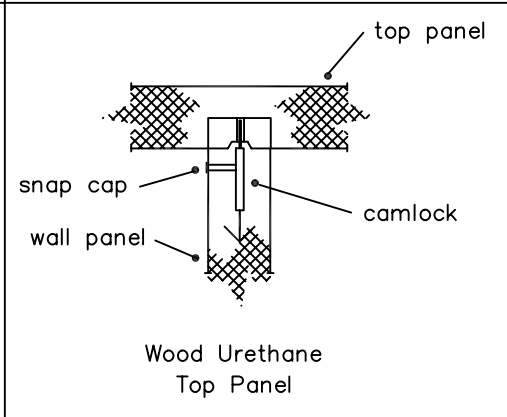
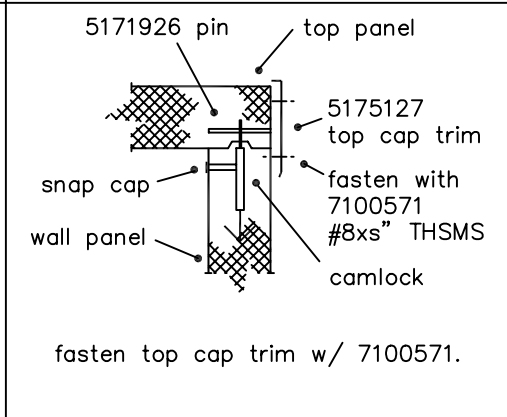
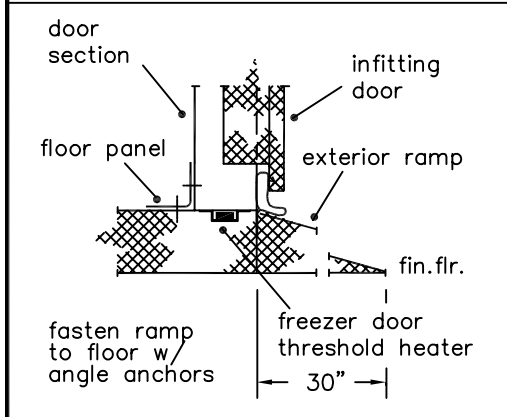
6/D-FREEZER INF DR



7/D-FLOOR PANEL

8/D-INF DR @ FLOOR

9/D-INTERIOR RAMP



10/D-EXTERIOR RAMP

11/D-TOP PANEL

12/D-TOP 'T' PANEL

DESCRIPTION: STANDARD
PANEL CONNECTION
DETAILS

DWG. NO. EML1B-02
SECTION: PANEL DETAILS
DATE: 5-28-98/ 07-08-02
BY: G.E. RANDALL



International Cold Storage
Andover, Kansas
Sales 800-835-0001
Service 800-333-5653
a division of
Carrier Commercial Refrigeration, Inc.

ENGINEERING GUIDE 1B.02