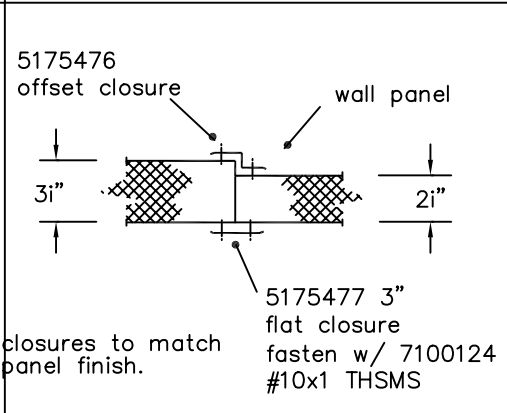
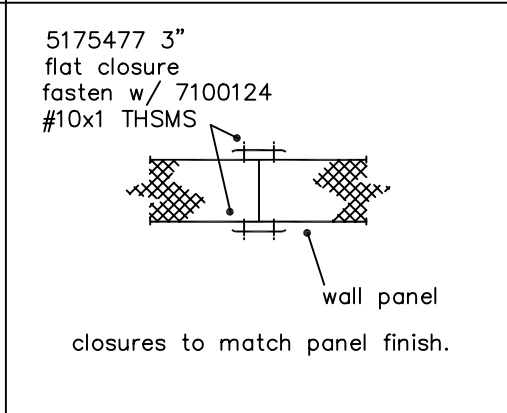
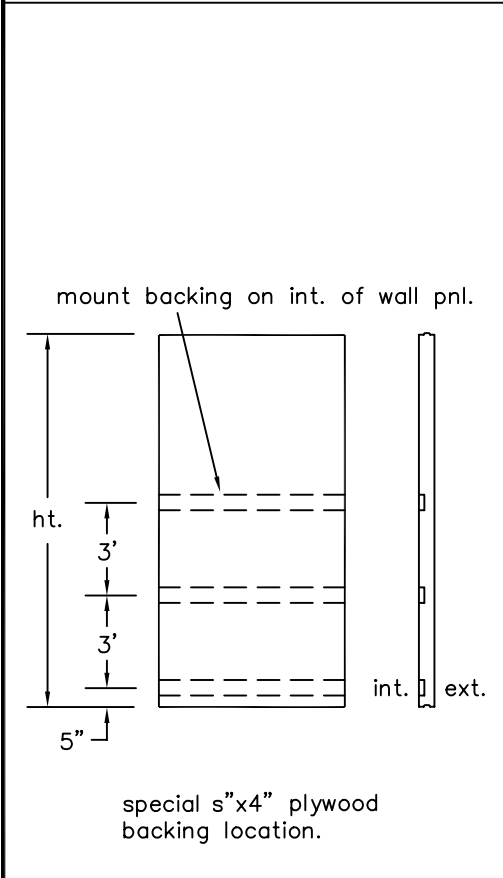


15A/D DISPLAY SUPPORT

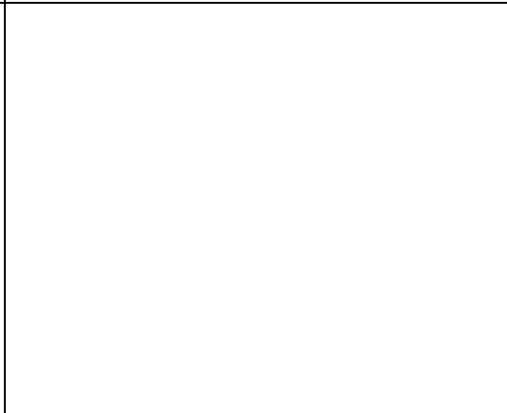
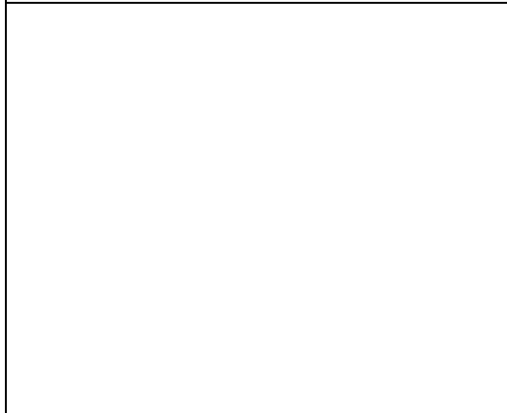
20/D-WALL CLOSURE

21/D-WALL CLOSURE



22/D-WALL CLOSURE

23/D-WALL CLOSURE



32/D-WALL PANEL BACK'G

DESCRIPTION: STANDARD PANEL CONNECTION DETAILS

DWG. NO. EML1B-04
 SECTION: PANEL DETAILS
 DATE: 8-8-01 / 07-08-02
 BY: G.E. RANDALL

International Cold Storage
 Andover, Kansas
 Sales 800-835-0001
 Service 800-333-5653
 a division of
 Carrier Commercial Refrigeration, Inc.

ENGINEERING GUIDE 1B.04